



Properties

- Ø30 mm housing
- 10 mm, flush mountable and 15 mm, virtually flush mountable
- AC, 2-wire switching output
- Cable and connector versions

Technical Data

For detailed data and product description refer to the data sheets at www.pepperl-fuchs.com

General Data

Type of voltage	AC
Operating voltage	20 ... 253 V
Reverse polarity protection	tolerant
Switching frequency	0 ... 20 Hz
Operating current	5 ... 200 mA
Operating voltage display	LED, green
Indication of the switching state	LED, yellow
Ambient temperature	-25 ... 70 °C (-13 ... 158 °F)
Housing material	brass, nickel-plated
Protection degree	IP67

Model Number

		green = preferred type							
Rated operating distance	10 mm	●	●	●	●	●	●	●	●
	15 mm			●	●	●	●	●	●
Installation	flush	●	●						
	virtually flush			●	●	●	●	●	●
Switching element function	AC NO	●	●	●	●	●	●	●	●
	AC NC		●		●		●		●
Connection type	Device connector 1/2"-20 UN , 3-pin					●	●		
	Device connector 7/8"-16 UN , 3-pin							●	●
	cable PVC , 2 m	●	●	●	●				

Approvals and Certificates

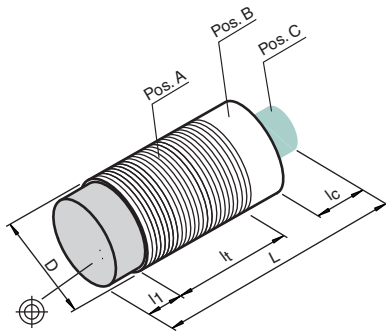
UL approval	cULus Listed, General Purpose	●	●	●	●	●	●	●	●
CSA approval	cCSAus Listed, General Purpose	●	●	●	●	●	●	●	●
CCC approval	Certified by China Compulsory Certification (CCC)	●	●	●	●	●	●	●	●

Dimensions

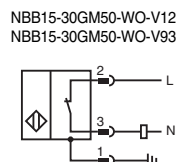
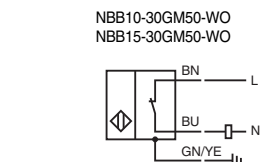
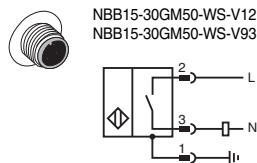
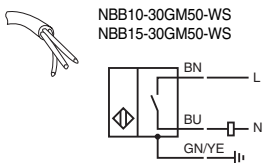
Length L [mm]		50	60	65
Diameter D [mm]			30	
Thread length l _t [mm]		47		50
Cap length l ₁ [mm]			0	
Connector area l _c [mm]		0	10	15
LED position		Pos. C		Pos. B

Accessories This and more accessories can be found in chapter 10

BF 30	Mounting flange, 30 mm	See pages from 972 ... for cordsets	See pages 1068 ... for mounting aids
EXG-30	Quick mounting bracket with dead stop		



Electrical Connection



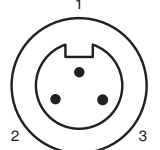
V12



Wire colors

- 1 GN (green)
- 2 RD/BK (red/black)
- 3 RD/WH (red/white)

V93



Wire colors

- 1 GN (green)
- 2 BK (black)
- 3 WH (white)

Date of issue 04/08/2015

Refer to "General Notes Relating to Pepperl+Fuchs Product Information".

Pepperl+Fuchs Group
www.pepperl-fuchs.com

USA: +1 330 486 0001
fa-info@us.pepperl-fuchs.com

Germany: +49 621 776 4411
fa-info@de.pepperl-fuchs.com

Singapore: +65 6779 9091
fa-info@sg.pepperl-fuchs.com

Courtesy of Steven Engineering, Inc - (800) 258-9200 - sales@steveng.com - www.stevengengineering.com